

"RAC" - "RACV" Pneumatic Dosing Pump

Data Sheet

Features:

Power supply: 230 VAC (190÷265 VAC)
 Power supply: 24 20÷32 VAC/VDC
 Power supply: 48 VAC (42÷54 VAC)

ENVIRONMENTAL WORK:

-10°C ÷ +50°C (14°F ÷ 122°F)

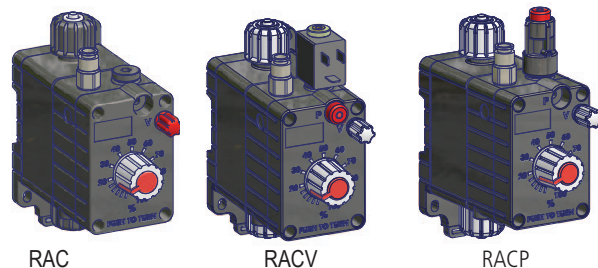
MAIN INFO:

- Front controls
- Front purge
- Manual priming button (RACP)
- Electrovalve (RACV)
- Single injection control knob

- 3 installation modes:

- Horizontal (with bracket)
- Wall
- "DIN"

Multiple pumps installation (side by side)



RAC

RACV

RACP

| MODELS | | |
|--------|------|--|
| Code | MOD. | DESCRIPTION |
| C | RAC | Pneumatic dosing pump. |
| V | RACV | Pneumatic dosing pump with electrovalve. |
| P | RACP | Pneumatic dosing pump with priming button. |

| CAPACITIES | | | | |
|------------|-----------------|--------------------|---------------|-------|
| MODELS | | | HOSES | VALVE |
| 0601 | 1 l/h at 6 bar | 0,26 GPH at 87 PSI | 4 X 6 o 6 X 8 | 1/2" |
| 0603 | 3 l/h at 6 bar | 0,79 GPH at 87 PSI | 4 X 6 o 6 X 8 | 1/2" |
| 0606 | 6 l/h at 6 bar | 1,58 GPH at 87 PSI | 4 X 6 o 6 X 8 | 1/2" |
| 0612 | 12 l/h at 6 bar | 3,17 GPH at 87 PSI | 4 X 6 o 6 X 8 | 1/2" |

| POWER SUPPLY | |
|--------------|--------------------------------------|
| O# | without electrovalve (RAC mod. only) |
| 11 | 230 VAC |
| 10 | 24 VAC |
| 18 | 24 VDC |
| 20 | 48 VAC |

Model RA **C** **0606** **V** 00 **0#**

| LIQUID ENDS | | | | | | | | |
|-------------|---------------|-------------------|---------------|-------|-----------|-------------|---------|----------------------|
| | HEAD | ORINGS | VALVE | | DIAPHRAGM | HOSES | | VISCOSITY Max CPS |
| | | | Body | Balls | | Delivery | Suction | |
| V | Polypropylene | Viton ® | Polypropylene | SS | PTFE | Polyethylen | PVC | 100 |
| D | Polypropylene | Etilene Propilene | Polypropylene | SS | PTFE | Polyethylen | PVC | 100 |
| W | Polypropylene | Nytrile | Polypropylene | SS | PTFE | Polyethylen | PVC | 100 |

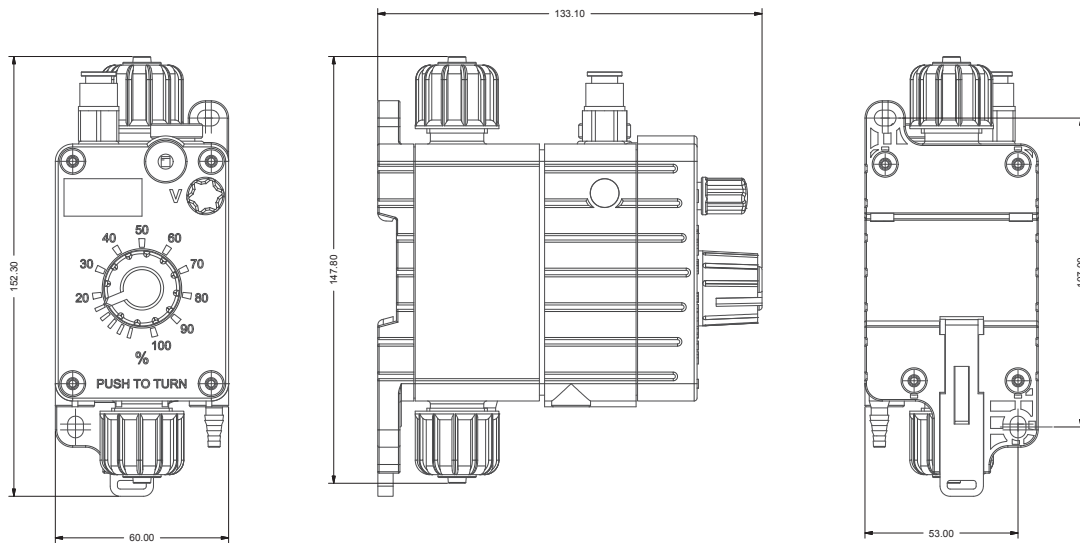
Viton ® is a registered trademark DuPont Dow Elastomers.

| INFORMATION FOR RAC AND RACV | | | | | | |
|------------------------------|---------------|-----|------------------------------------|--|--------------------------|-------------------|
| | Strokes speed | | Stroke length range reliability | Power consumption at max flow (230 VAC) | Air consumption l/min | Air supply bar |
| | min | max | | | | |
| 0601 | 12 | 120 | from 30% to 100% | 8 Watt (RACV with electrovalve) | 2,4 | 6-8 |
| 0603 | 12 | 120 | | | 2,4 | 6-8 |
| 0606 | 12 | 120 | | | 2,4 | 6-8 |
| 0612 | 12 | 120 | | | 2,4 | 6-8 |

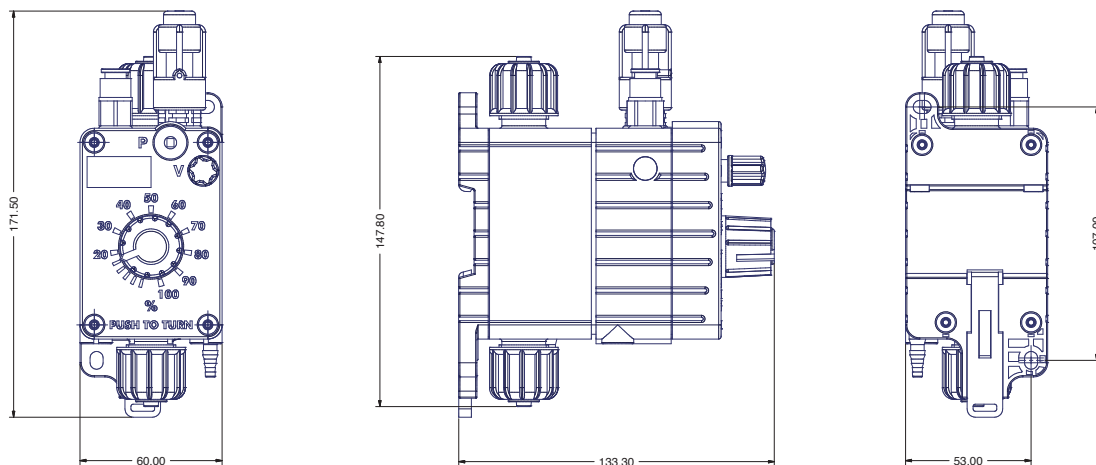
"RAC" - "RACV" Pneumatic Dosing Pump

Data Sheet

RAC



RACP



RACV

