

# PIPELINE MANIFOLD

PIPELINE MANIFOLD WITH FLOW SENSOR AND MOTORIZED EV



The pipeline manifold is a hydraulic circuit placed on a panel that standardizes the installation in order to reduce learning, execution and related errors. Therefore, it simplifies and improves the quality of the system to be implemented with a clear reduction in installation costs, due to the individual on-site design with the consequent search for the materials to be used.

Furthermore, the standardized installation homogenises the various systems, facilitating the learning and execution of maintenance.

- › Motorized valve
- › Ball valve water inlet
- › Ball valve water outlet
- › No-return valve
- › Flow sensor
- › 3 injection points
- › Cross connection for conductivity and pH probe (Redox on request)

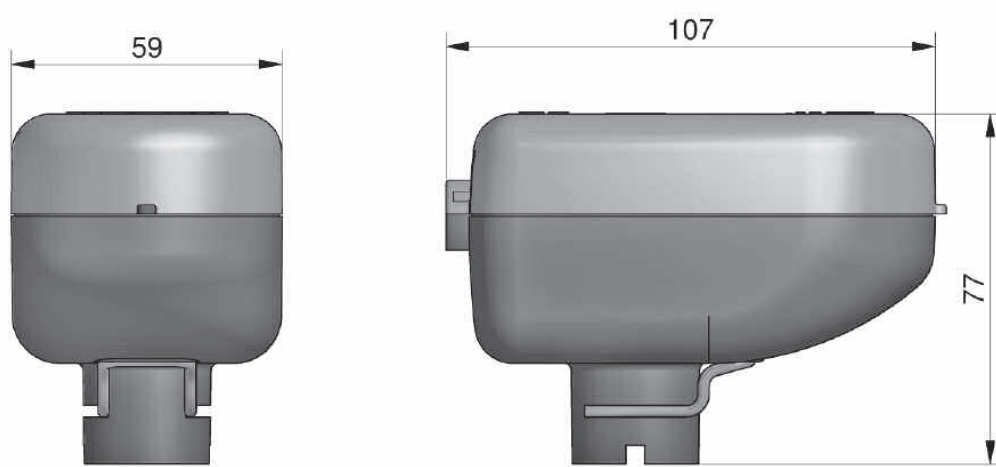
Model	Description	Hose
<b>MANIFOLD/TUBI/EV 1"</b>	Pipeline Manifold 2 points 230vac ecdc	1
<b>MANIFOLD/TUBI/EV 1"</b>	Pipeline Manifold 2 points 230vac ecdind	1
<b>MANIFOLD/TUBI/EV 1-1/2"</b>	Pipeline Manifold 2 points 230vac ecdind	1 1/2"
<b>MANIFOLD/TUBI/EV 1-1/4"</b>	Pipeline Manifold 2 points 230vac ecdind	1 1/4"
<b>MANIFOLD/TUBI/EV 1-1/4"</b>	Pipeline Manifold 2 points 230vac ecdcc	1 1/4"
<b>MANIFOLD/TUBI/EV 2"</b>	Pipeline Manifold 2 points 230vac ecdind	2
<b>MANIFOLD/TUBI/EV 3/4"</b>	Pipeline Manifold 2 points 230vac ecdind	3/4"
<b>MANIFOLD/TUBI/EV 3/4"</b>	Pipeline Manifold 2 points 230vac ecdc	3/4"

## ACCESSORIES

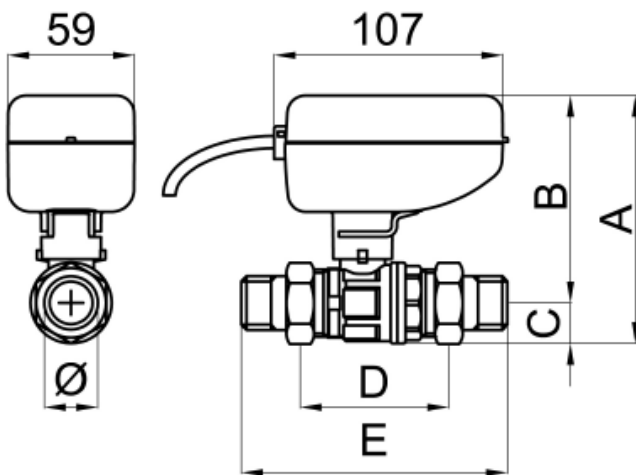
Model	Description
<b>SF/2F</b>	Sf/2f flow sensor 2m x manifold controller
<b>SF/2F</b>	Sf/2f flow sensor 1m x manifold controller
<b>SF/BNC</b>	Sf/bnc flow sensor 2m x manifold
<b>SF/BNC</b>	Sf/bnc flow sensor 1m x manifold
<b>MOTORIZED Electrovalve 1"</b>	MOTORIZED Electrovalve 1" 230vac ip54
<b>MOTORIZED Electrovalve 1" 24VAC</b>	MOTORIZED Electrovalve 1" 24vac ip54
<b>MOTORIZED Electrovalve 1-1/2"</b>	MOTORIZED Electrovalve 1-1/2" 230vac ip54
<b>MOTORIZED Electrovalve 1-1/4"</b>	MOTORIZED Electrovalve 1-1/4" 230vac
<b>MOTORIZED Electrovalve 2"</b>	MOTORIZED Electrovalve 2" 230vac
<b>MOTORIZED Electrovalve 3/4"</b>	MOTORIZED Electrovalve 3/4" 230vac ip54
<b>MOTORIZED Electrovalve 3/4" 24VAC</b>	MOTORIZED Electrovalve 3/4" 24vac ip54

# DIMENSIONS OF MOTORIZED ELECTROVALVE (MM)

## DIMENSIONS



## DIMENSIONS / HOSES



DN	Ø TANG	Ø VALVE BODY	A	B	C	D	E
15	1/2"	3/4"	111	94	17	63	118
20	3/4"	1"	120	100	20	67	128
25	1"	1" 1/4	126	103	23	77	147

## DIMENSIONS WITH CONTROLLER (MM)

