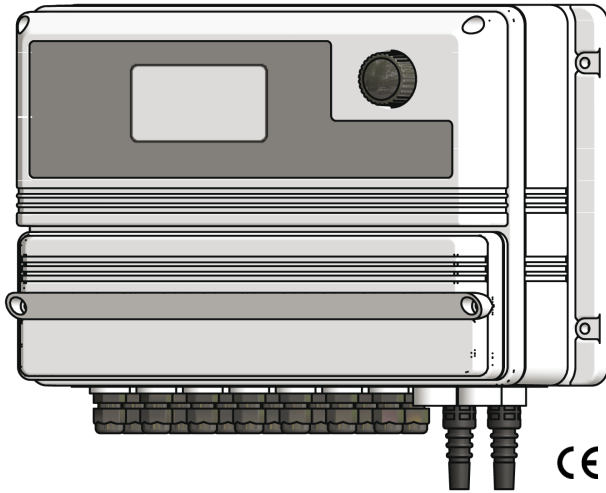


# "MTOWER CL" CONTROL INSTRUMENT

## Data Sheet



MTOWER CL is a fully featured cooling towers controller for Chlorine and Conductivity, with two-way biocide options and inhibitor / bleed control.

Wheel Control with easy setup interface.

Communication Ready.

## FEATURES

- 2 channels controlling system
- Large LCD backlight graphic display
- Wheel control with easy setup interface
- Bleed and Feeders live display
- Universal power supply
- Permanent data storage
- Multiple alarms control :
  - Hi & Low conductivity
  - Hi & Low Chlorine
  - Bleed timeout
  - Chemicals level
  - Flow

## INPUTS

- Conductivity probe
- Temperature probe (compensated)
- Flow meter makeup
- Flow meter bleed
- 2 Biocide levels
- 2 Biocide activator levels
- Inhibitor level
- Flow sensor
- Chlorine amperometric cell
- Chlorine level

## OUTPUTS

- Bleed
- Inhibitor
- 2 Biocides
- 2 Biocides activators
- Alarm
- 0/20 or 4/20 mA Conductivity
- 0/20 or 4/20 Chlorine
- 0/20 or 4/20 Temperature
- 1 proportional Chlorine
- 1 digital Chlorine
- Serial Port
- Inhibitor proportional

# "MTOWER CL" CONTROL INSTRUMENT

Data Sheet

## ELECTRICAL

### SIGNAL INPUT

Terminal block

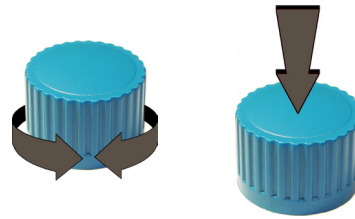
### POWER SUPPLY

UNIVERSAL 90÷265 VAC; 50/60 Hz

### POWER CONSUMPTION

Average 20 W

## THE WHEEL CONTROLLING SYSTEM



## CONTROL PARAMETERS

### Conductivity

Timer 1 (1 - 2 - 4 Weeks)

Timer 2 (1 - 2 - 4 Weeks)

### Inhibitor:

Feed and Bleed

Feed as a percentage of bleed

Feed as a percentage of time

Driven by pulse sender water meter

PPM setup with water meter

Chlorine

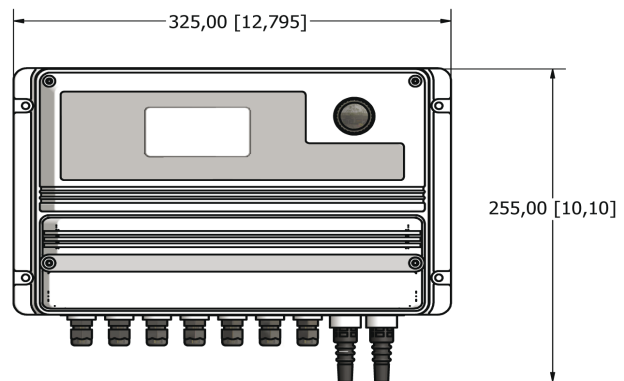
PWM / On-Off

Proportional

## ENCLOSURE

### IP65 enclosure (NEMA4x)

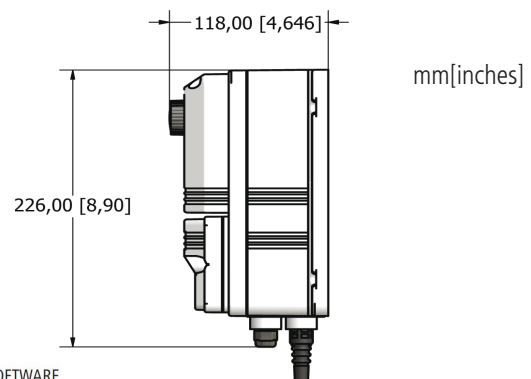
MTOWER CL control instruments are manufactured in ABS housing to ensure protection against aggressive chemicals and tough environment.



## ENVIRONMENT

-10°C ÷ 50°C (14°F ÷ 122°F)

0÷95% (non condensing) relative humidity



ERMES COMMUNICATION SOFTWARE  
www.ermes-server.com

Via Donatori di Sangue, 1 - 02100 Rieti (Italy)  
+39 074622841 | emecpumps.com

Specifications subject to change without notice | R11-19

**emec**  
SIMPLE AS WATER



**Qualityaustria**  
SYSTEM CERTIFIED

ISO 9001:2015  
ISO 14001:2015  
BS OHSAS 18001:2007