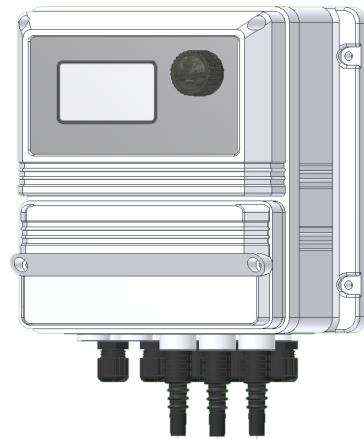


## FEATURES

- Instrument operated by a rotation "Encoder"
- Flow control input
- pH range: 0-14 pH; Chlorine range: 0-10 mg/l Cl<sub>2</sub>
- Chlorine amperometric cell: to specify
- PT100 Temperature probe
- pH probe
- Stand-by input
- Probe alarm (probe check-up)
- Max dosing time alarm
- Threshold alarm
- Level alarm
- Flow alarm
- SMS alarm sending (as option)
- Ethernet connection to email alarm condition (as option)
- Programmable delay at dosing startup (max 60 minutes)
- pH priority dosage over Chlorine dosage
- Chlorine and pH compensation (with ECL6 or ECL12 only)
- Service Menù for real time probe reading
- Real time internal clock
- PID controller manages all instrument outputs based on changes read by mA input and multiply value referring to % and type of mA signal (0-4/20) and Hz(0/500).
- Automatic or manual dosing activity
- Chlorine/Bromine selection with ECL6 / ECL12 probe
- Data log storage on USB device (as option)
- mA outputs (as option)



Microprocessor digital regulator for pH and Chlorine with temperature reading. Setpoint with PID regulation. Pulses per minute can be set for outputs.  
Wide LCD backlight display.

### INPUT:

- Stand-by
- Flow
- pH (+) level
- pH (-) level
- Chlorine level
- pH probe
- Chlorine probe
- Temperature probe

### OUTPUTS:

- 3 pulses outputs (pH and Cl)
- 2 relay outputs (pH and Cl)
- Main alarm

## ELECTRICAL

### INPUT SIGNAL

BNC (pH)  
Board connection (Chlorine)

### ON/OFF OUTPUT

2 relays; 5A @ 230 VAC  
(fuse protected)

### ALARM OUTPUT

85-264VAC

### POWER SUPPLY

90-265 VAC; 50/60 Hz

### PROPORTIONAL OUTPUT

Pulse output signal,  
open collector

### STAND-BY

1 contact input

### AVERAGE CONSUMPTION

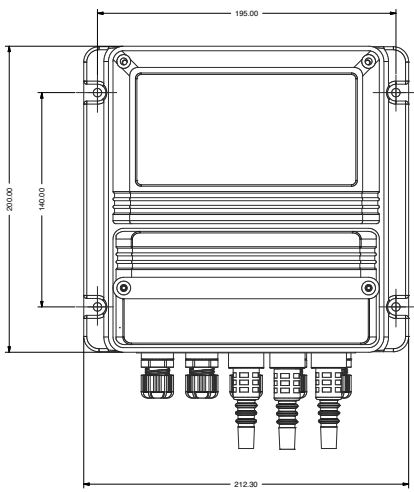
25 W

0-180 pulses per minute

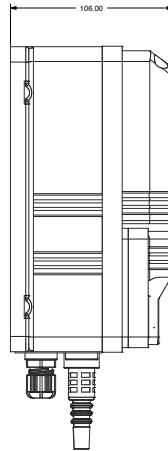
### RS485 OUTPUT

1 RS485 output  
(optional)

## DIMENSIONS



FRONT



SIDE

## ENCLOSURE

IP65 enclosure (NEMA4x).

LDPHCLH control instruments are manufactured in ABS housing to ensure protection against aggressive chemicals and tough environment.

## ENVIRONMENT

-10°C - 50°C (14°F - 122°F)

0-95% (non condensing) relative humidity

## AMPEROMETRIC CELLS - PH PROBE - TEMPERATURE PROBE

CLOSED AMPEROMETRIC CELL	
Model	Range
ECL 1/2	0-2.000 mg/l CL2
ECL 1/5	0-5.00 mg/l CL2
ECL 1/20	0-20.00 mg/l CL2
ECL 1/200	0-200.0 mg/l CL2
ECL 3S/10	0-10.00 mg/l CL2
ECL 3N/2	0-2.000 mg/l CL2
ECL 9/200	0-200.0 mg/l CL2
ECL 10/1	0-0.5 mg/l CL2
ECL 10/10	0-10.00 mg/l CL2
ECL 11/200	0-200.0 mg/l CL2
ECL 11/2000	0-2000 mg/l CL2
ECL 17	0-10.00 mg/l CL202
ECL 18	0-10.00 mg/l CL2
EBR1/20	0-20.00 mg/l Br
OPEN AMPEROMETRIC CELL	
ECL 4, 5, 6, 6E, 7, 12, 12E	0-10.00 mg/l CL2 o Br
PH PROBE	
EPHS	0-14 pH
TEMPERATURE PROBE	
ETEPT	0-100° C