

DESCRIPTION

LDLOG is a data log system.

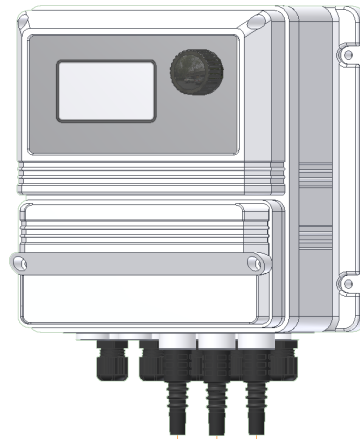
LDLOG permanently collects data by a maximum of four pulse emitter water meters and four flow sensors connected to the dosing pumps to record the chemical consumption and the amount of water treated.

In Advanced USB configuration collected data are stored in a USB-pen and secured against unauthorized access.

LDLOG shows daily, monthly and annual data.

DATA LOG showed on display

Remote control via ERMES in Ethernet and GSM/GPRS configurations.



FEATURES

INPUT

- 4 flow sensors input
- 4 pulse sender water meter input

LOG FORMAT FILE
CSV / EMC

PROTECTION
IP 64

INPUT SIGNAL
BNC

POWER SUPPLY

90-265 VAC; 50/60 Hz

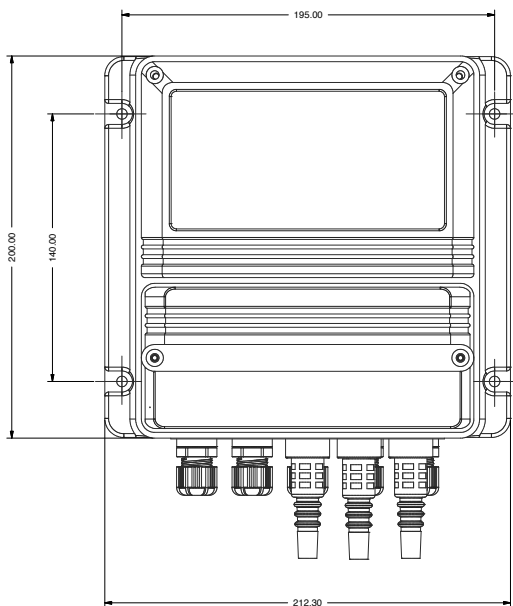
AVERAGE CONSUMPTION

25 W

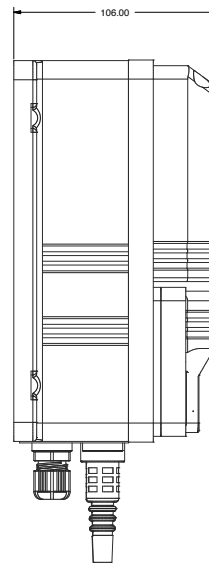
ENVIRONMENT

-10 - 50°C (14 - 122°F)

0-95% (non condensing) relative humidity



FRONT



SIDE

DESCRIPTION

LDLOG mA is a data log system.

LDLOG mA controller records on a USB device (i.e.: pendrive) the chemical consumption and the quantity remaining into the tank, up to four.

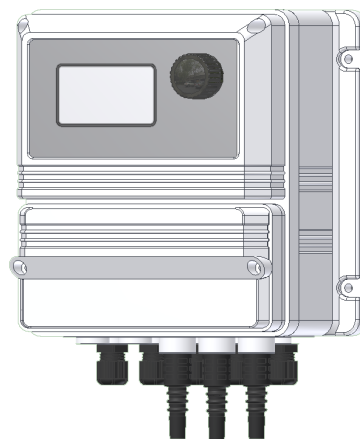
Collected data are stored in a USB-pen and secured against unauthorized access.

Display shows daily, monthly and annual dosed quantity and quantity remaining into tanks.

DATA LOG showed on display

End product alarm.

Remote control via ERMES.



FEATURES

INPUT

4 mA input (0-20 mA) for ultrasonic level sensor (mod. ELU)

LOG FORMAT FILE

CSV / EMC

PROTECTION

IP 64

INPUT SIGNAL

BNC

POWER SUPPLY

90-265 VAC; 50/60 Hz

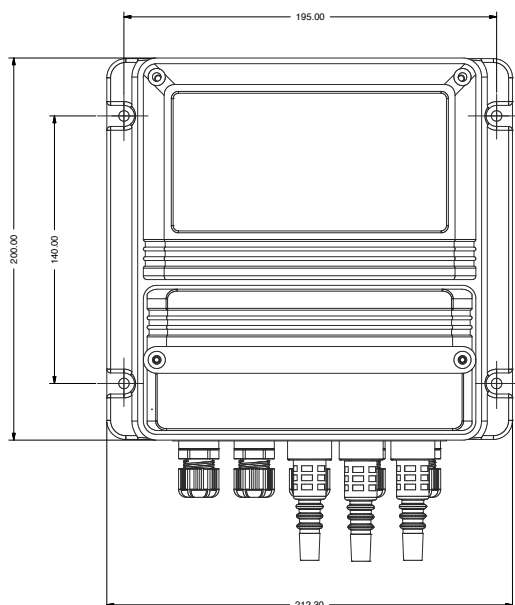
AVERAGE CONSUMPTION

25 W

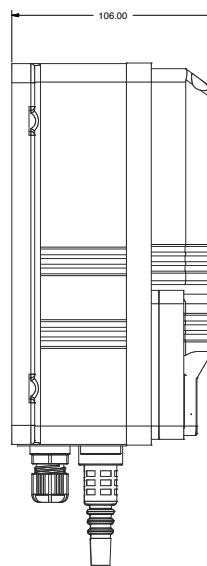
ENVIRONMENT

-10°C ÷ 50°C (14°F ÷ 122°F)

0÷95% (non condensing) relative humidity



FRONT



SIDE